

CONTAINMENT HOODS

- **Portable tabletop design**
- **No outside venting required**
- **Custom designs at affordable prices**
- **Full range of filters**



Containment Hood

The 'G' Series containment hood systems are designed to enclose materials and operations under negative pressure, thereby preventing airborne contaminants from escaping into the work environment. Contaminated air is drawn through a variety of filters to remove pollutants. Filters are available for both vapors and particulates and they can be combined for multiple substance filtration.

The hoods are constructed of clear, 1/4" thick, acrylic panels with sturdy aluminum framing (*other panel materials are available if required*). They come equipped with a clear vinyl curtain providing easy access while maintaining optimal airflow across the opening (*optional door and sash configurations are available upon request*). The hoods can be made to order with custom sizes and features tailored to your specific needs.

Blower/Filter modules are normally mounted on top of the hood, however, if

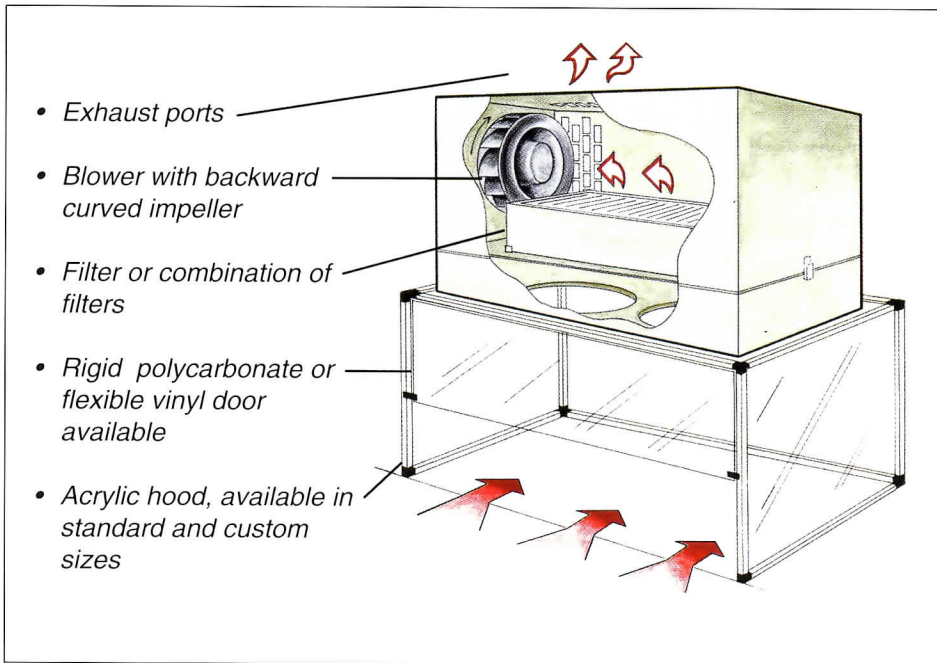
space is limited they can be remotely located and connected to the hood via PVC hose. A high efficiency, brushless AC motor with dynamically balanced backward curved impeller moves up to 530 cfm in free air at a noise level of less than 70 db.

If required the hood can be purchased without blower and filter units for connection to an existing venting system. Alternatively, a venting adapter kit is available for the blower to provide for both filtering and outside venting.

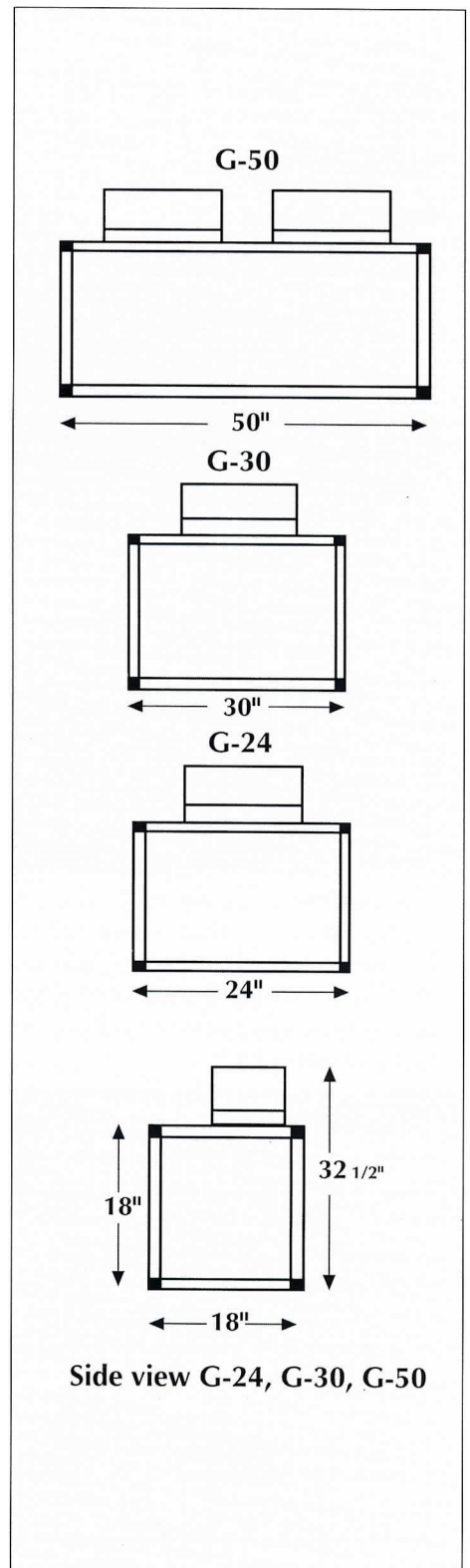
Containment Hood Options:

- Replacement Vinyl Curtain
- Optional Polycarbonate Door Panel
- Light Kit (to fit G30, G50)
- Acrylic Polish: Anti Static Surface Cleaner
- Air Flow Alarm Unit
- Blocked Filter Alarm Unit
- Outside Vent Adapter Kit

CONTAINMENT HOODS



Airflow drawing



Specifications: G series Containment Hoods

Model No.	G-24	G-30	G-50
Workspace:	17"H x 22"W x 17" D	17"H x 28"W x 17"D	17"H x 48"W x 17"D
Overall Dim:	32.5"H x 24"W x 18"D	32.5"H x 30"W x 18"D	32.5"H x 50"W x 18"D
Power Requirements:	115V AC, 100 watts, 50/60 Hz, 230V AC optional for export		
Weight:	55 lbs.	60 lbs.	98 lbs.
Blower:	530 CFM, (free air), Backward Curved Impeller		
Noise Level :	A weighted noise level 68 dB at 1 meter		

Airflow Performance Statistics

Hoods	G-24		G-30		G-50	
	Max Airflow CFM	Face Velocity FPM	Max Airflow CFM	Face Velocity FPM	Max Airflow CFM	Face Velocity FPM
None	320	700	332	570	550	550
HEPA	165	360	172	295	265	265
HEPA/Dacron/.5" Carbon	144	315	149	255	230	230
HEPA/Dacron/2" Carbon	98	215	94	160	179	179
0.5" Carbon	250	545	210	360	365	365
2" Carbon	131	285	134	240	233	233
2 each - 2" Carbon	101	220	105	180	181	181

All numbers refer to average readings taken at full blower speed

Please Note: we can manufacture these units in many different sizes and/or configurations. Please call to discuss your application.

For filter information see page 17
For ordering information see page 19